



LANDSCAPE LIGHTING

High Features

- Die-cast aluminum lighting body
- Frosted PC lens
- Design for standard United States junction pipe
- Black/ORB colors body finishing optional
- **ETL listed**
- Suitable for Wet location
- Easy Installation
- Save Energy

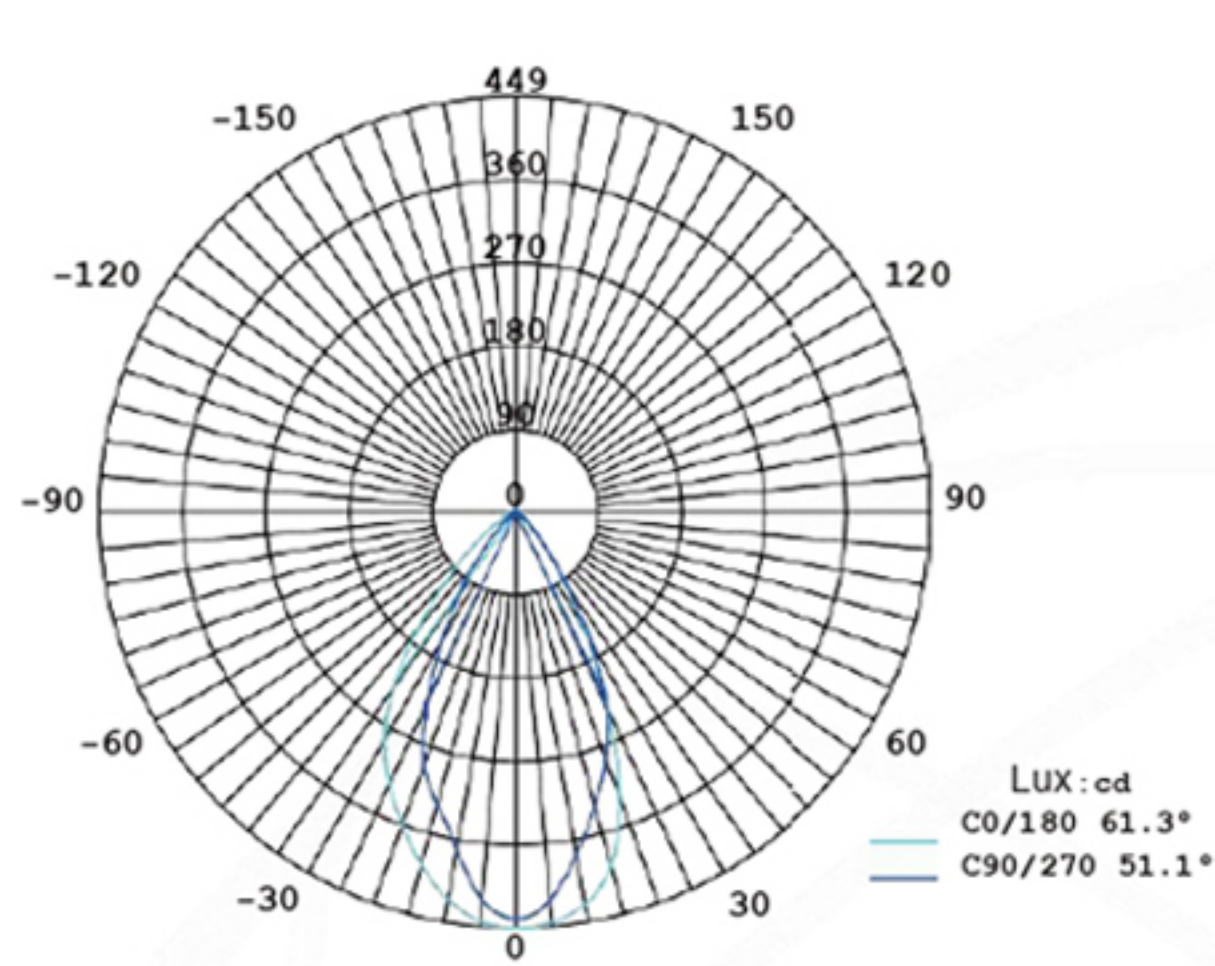


Application

shrub/fence/yard/garden/walkway/column/patio



Photometric



Height	Average illumination	Center luminance	Spot diameter
1.50m	187.48lx	199.74lx	42.16cm
2.00m	105.46lx	112.35lx	56.22cm
4.00m	26.36lx	28.09lx	112.43cm
4.50m	20.83lx	22.19lx	126.49cm
6.00m	11.72lx	12.48lx	168.65cm

Specifications

Optical/Electrical Data

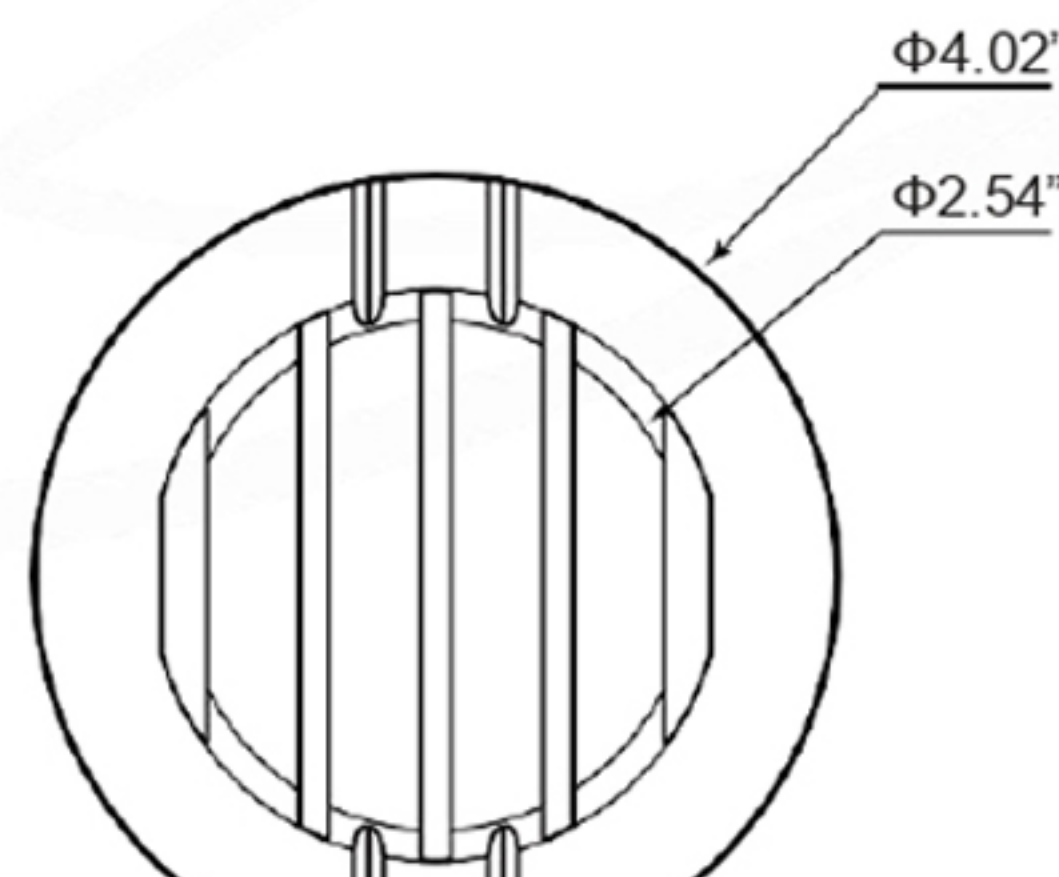
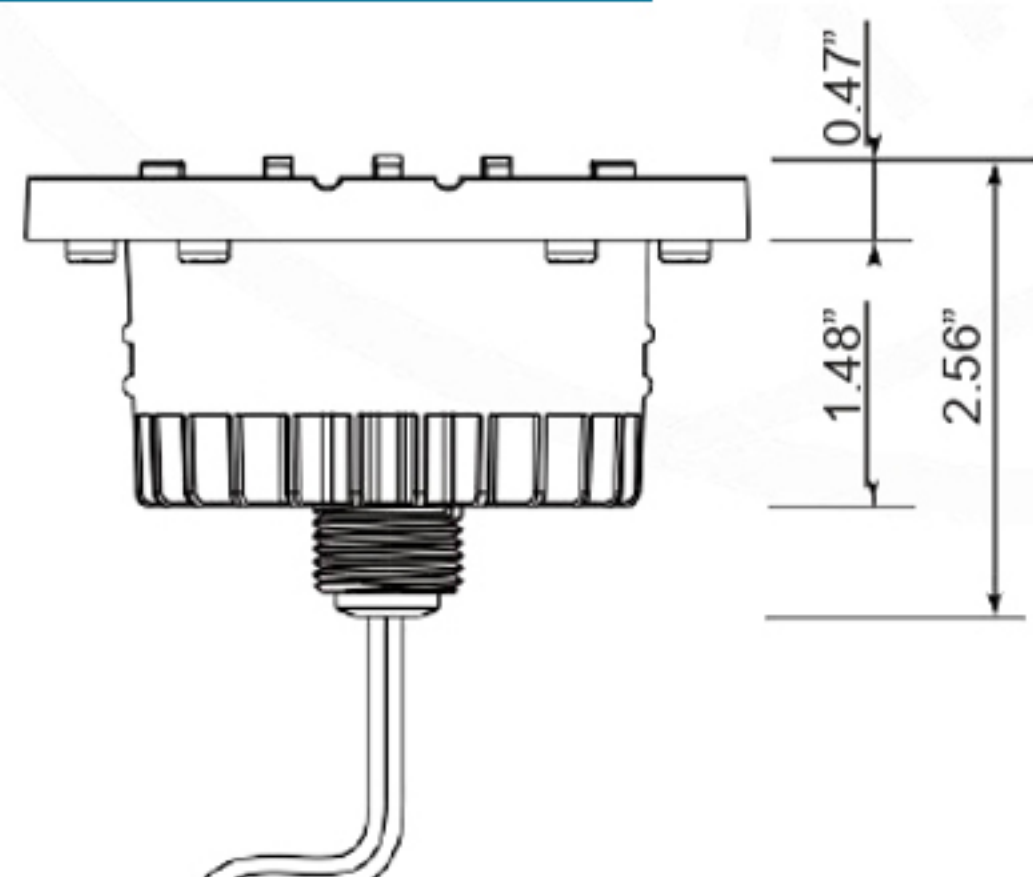
Model No	9101
Wattage	6W
Voltage	12-24V AC/DC
LED Type	SMD2835
Lumens	350lm
Color Temp	2700K
CRI	>90
Product weight	0.90lbs
Beam Angle	52°
Lifespan	50,000hrs
Working temp	-4°F -104°F
Body Material	Aluminum
Lens Material	PC
Cable Material	Copper
Wet Location	IP67



Others

Inner pack	5.04"(L)x4.96"(W)x4.02"(H)
Pcs/ Inter pack	1PC
Outer pack	20.67"(L)x15.75"(W)x8.66"(H)
Pcs/ Outer pack	24PCS
Net Weights	21.2LBS
Gross Weights	24.5LBS

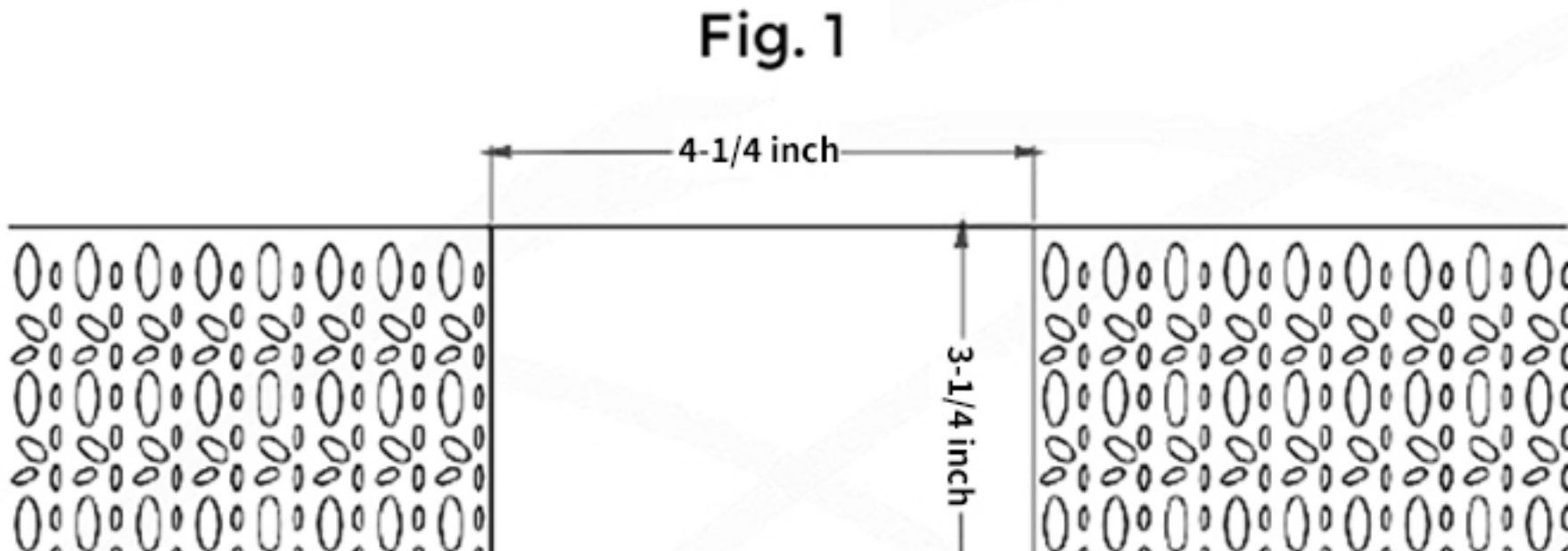
Dimensions



Installation

Step 1. Dig a 4-1/4inch wide and 3-1/4inch deep hole.(Fig. 1)

Fig. 1



Step 2.

Push the fixture out from the embedded part. Remove the waterproof wire nuts from the embedded part. Then remove enough knockouts to accommodate wires.

Step 3.

TURN OFF THE POWER. Pass the power supply through the embedded part. Then, place the embedded part in the hole. Use concrete to fill the gap between the embedded part and the hole.

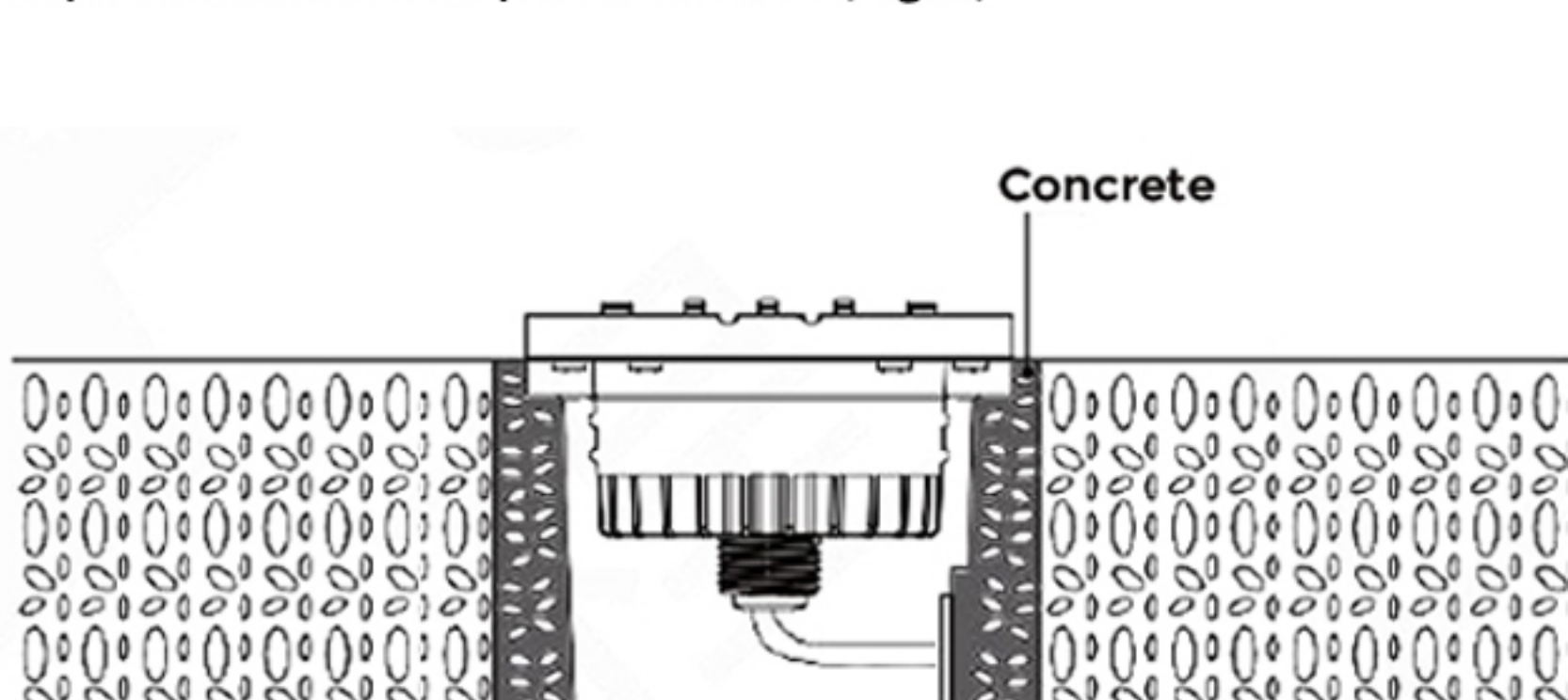
Step 4.

Use waterproof wire nuts to connect the lamp wires with the power supply.

Step 5.

Buckle the fixture into the embedded part. Then turn the power back on.(Fig. 2)

Fig.2



Installation completed

Day and night light contrast

